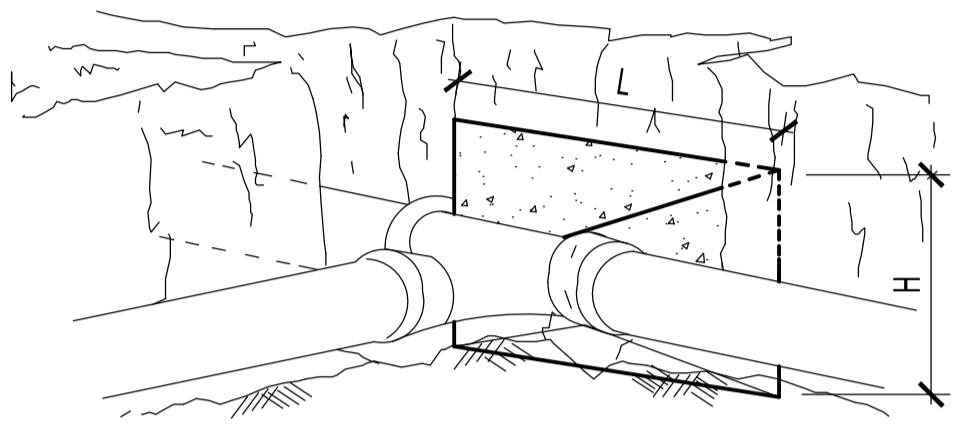


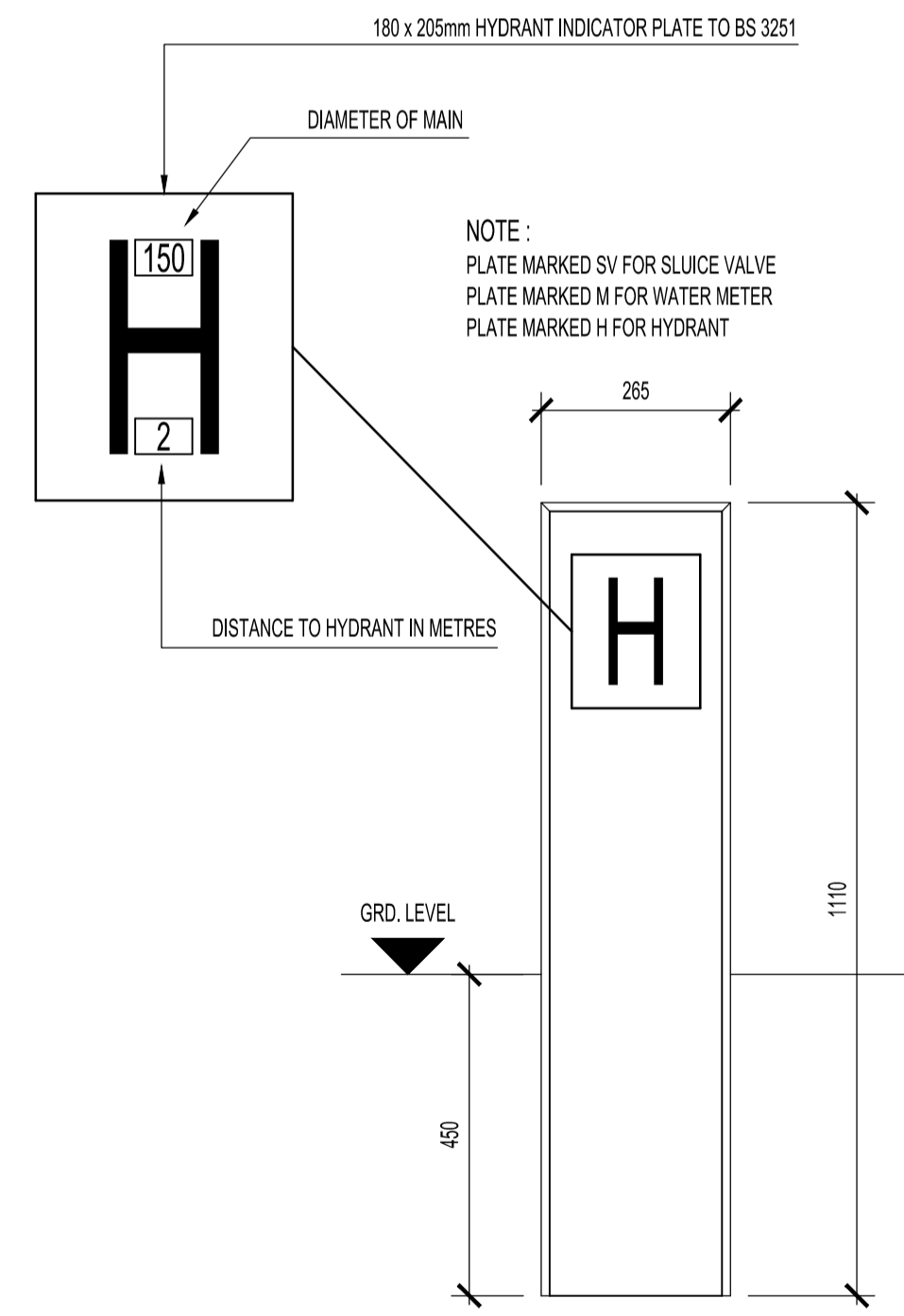
90° & 45° BENDS
N.T.S.



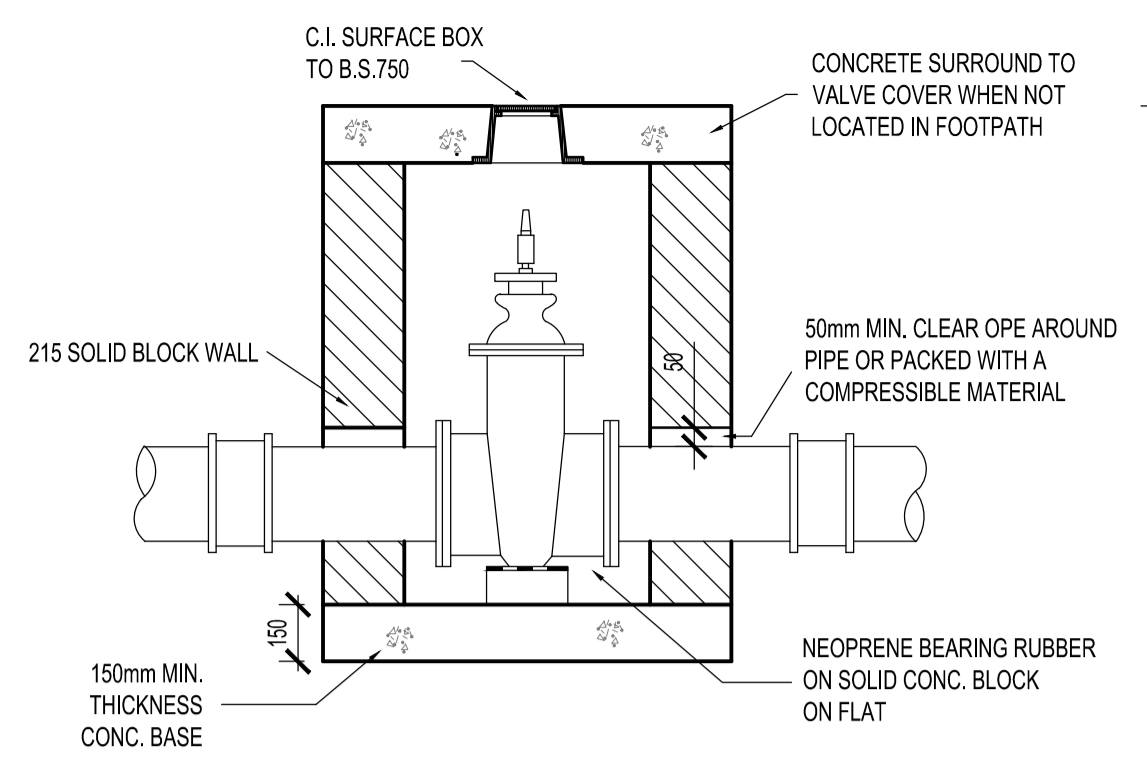
TEES
THRUST BLOCK DETAILS
N.T.S.

THRUST BLOCK SIZES :

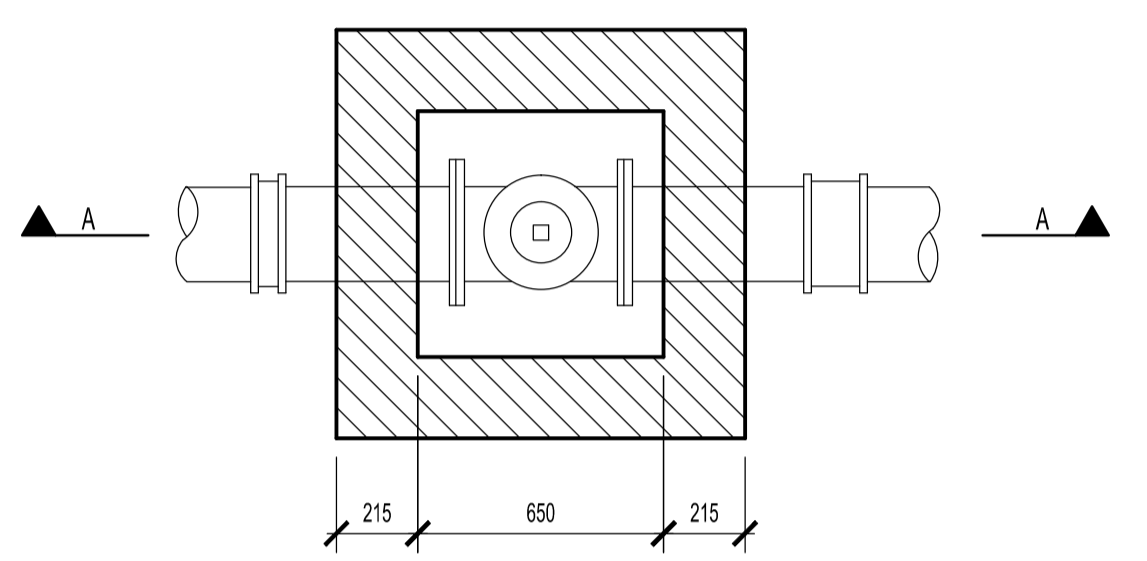
FITTING PIPE SIZE	DEAD END & TEE	90° BEND	45°/22.5°/11.25° BEND
1600 O.D. & 2000 O.D.	1170x700 x930 DP	1650x700 x1180 DP	890x700 x870 DP



CONCRETE INDICATOR POST DETAIL
SCALE 1:10

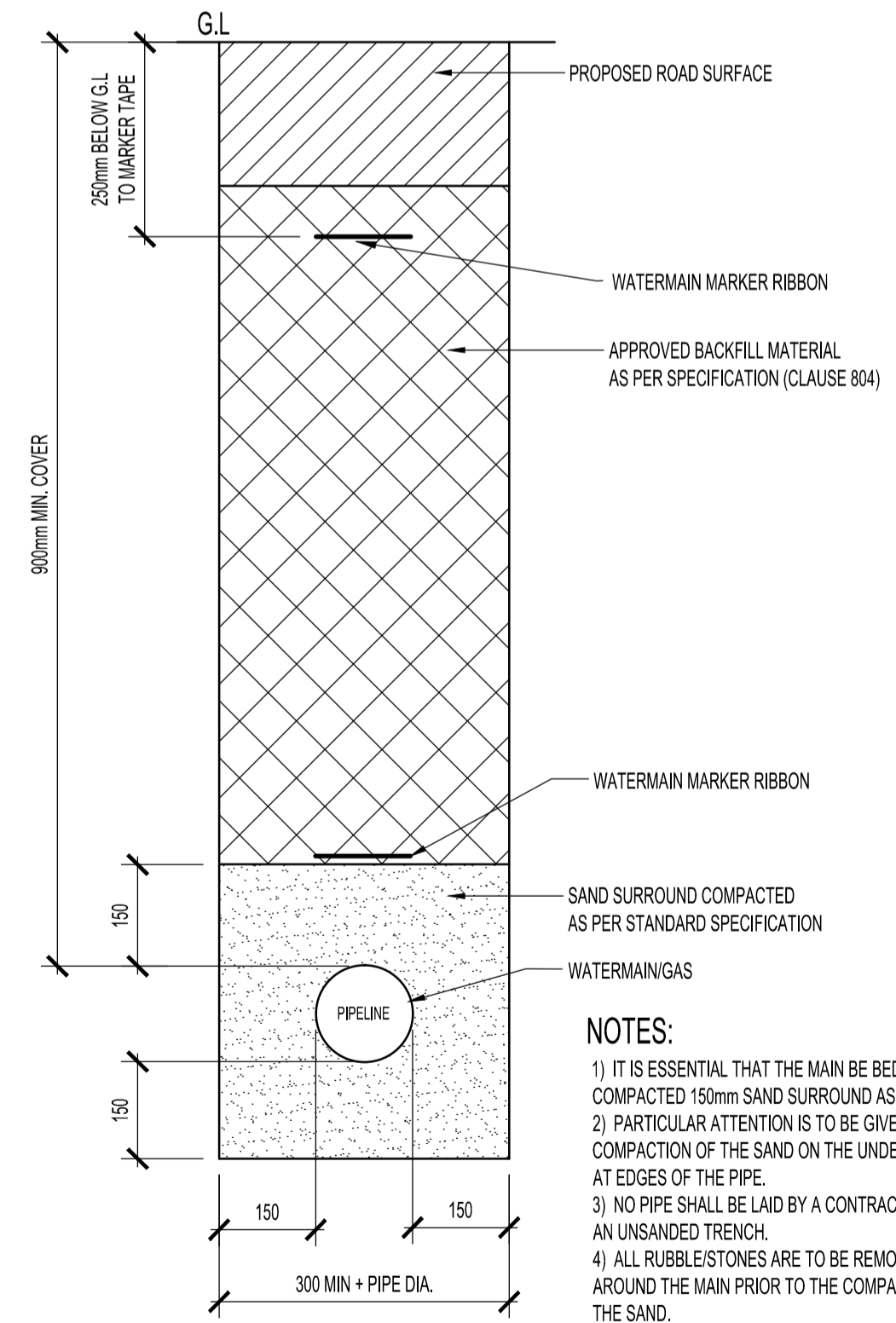


SECTION A-A



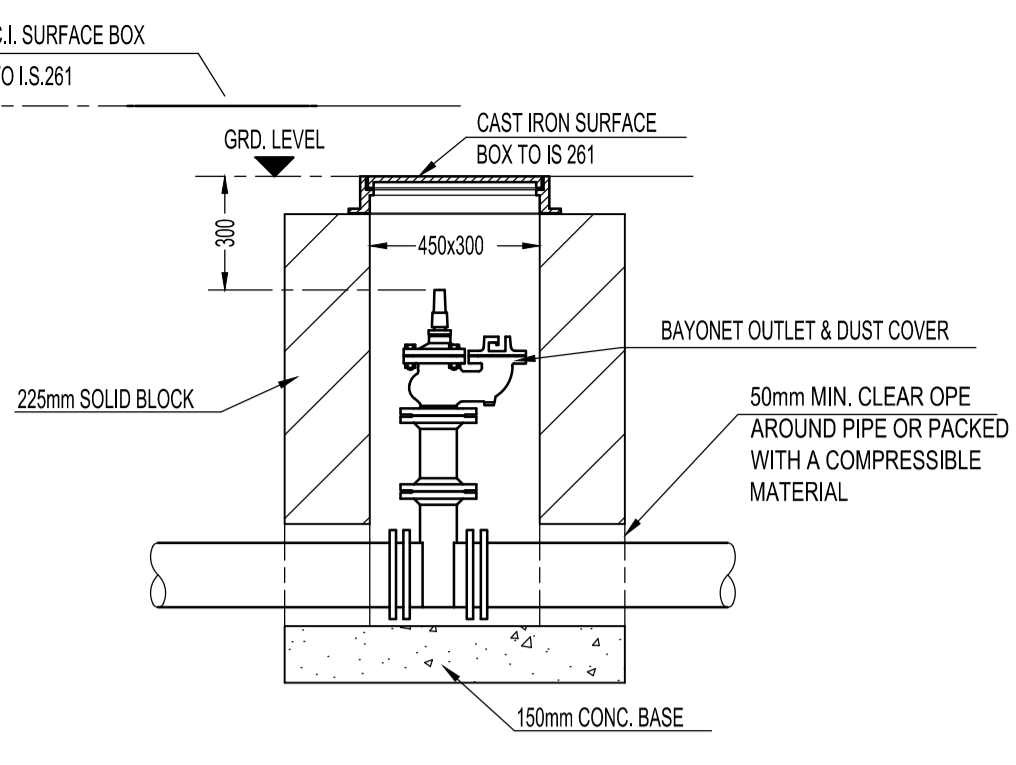
PLAN

SLUICE VALVE CHAMBER DETAIL

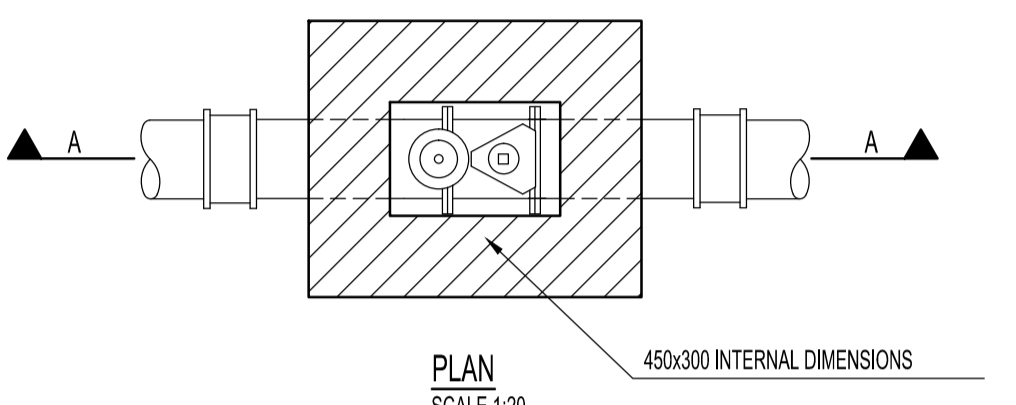


TYPICAL BEDDING DETAIL FOR WATER & GAS MAIN
SCALE 1:10

- NOTES:
- 1) IT IS ESSENTIAL THAT THE MAIN BE BEDDED IN A COMPACTED 150mm SAND SURROUND AS SHOWN
 - 2) PARTICULAR ATTENTION IS TO BE GIVEN TO THE COMPACTION OF THE SAND ON THE UNDERSIDE AND AT EDGES OF THE PIPE.
 - 3) NO PIPE SHALL BE LAID BY A CONTRACT CREW IN AN UNSANDED TRENCH.
 - 4) ALL RUBBLESTONES ARE TO BE REMOVED FROM AROUND THE MAIN PRIOR TO THE COMPACTION OF THE SAND.

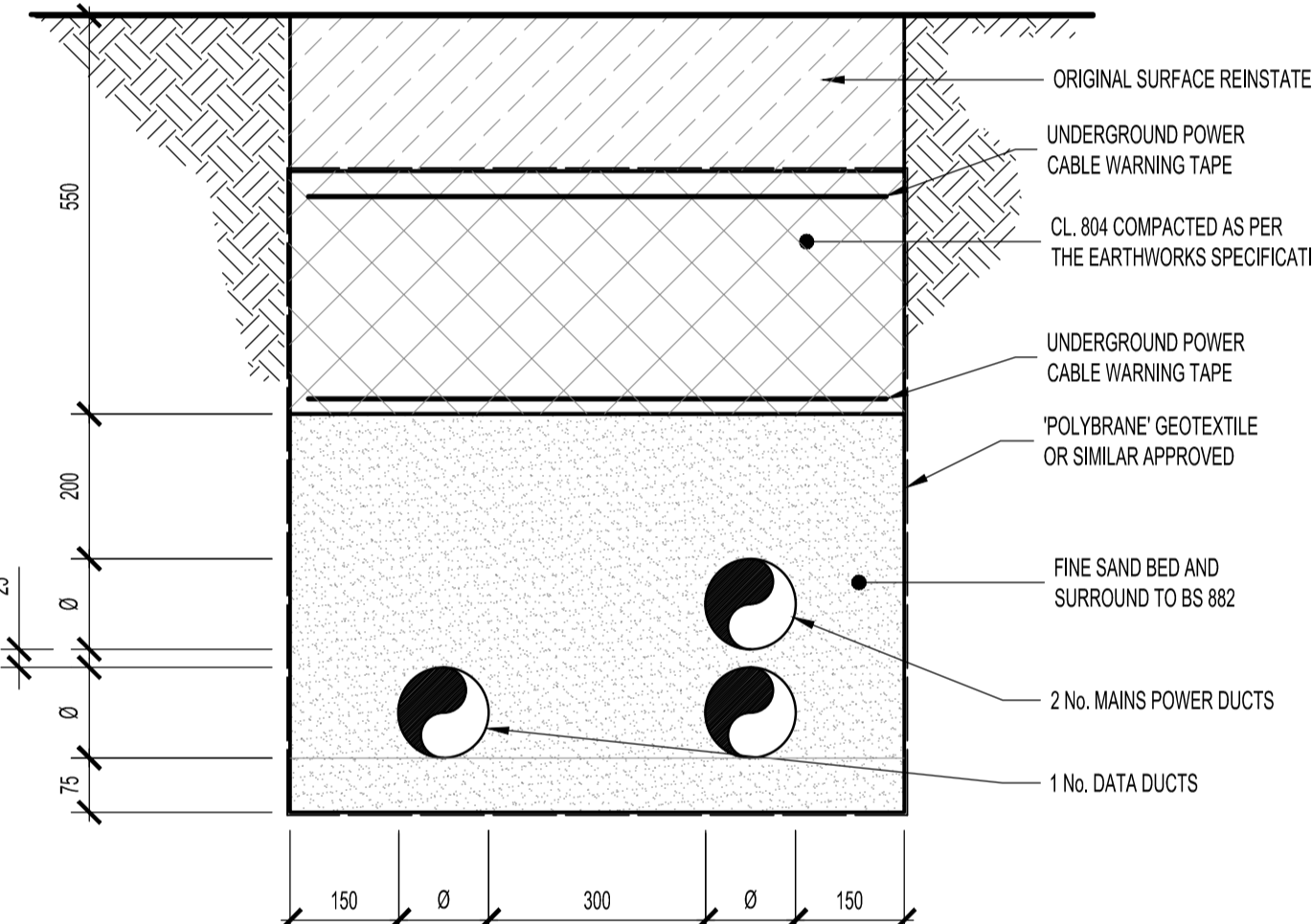


SECTION A-A

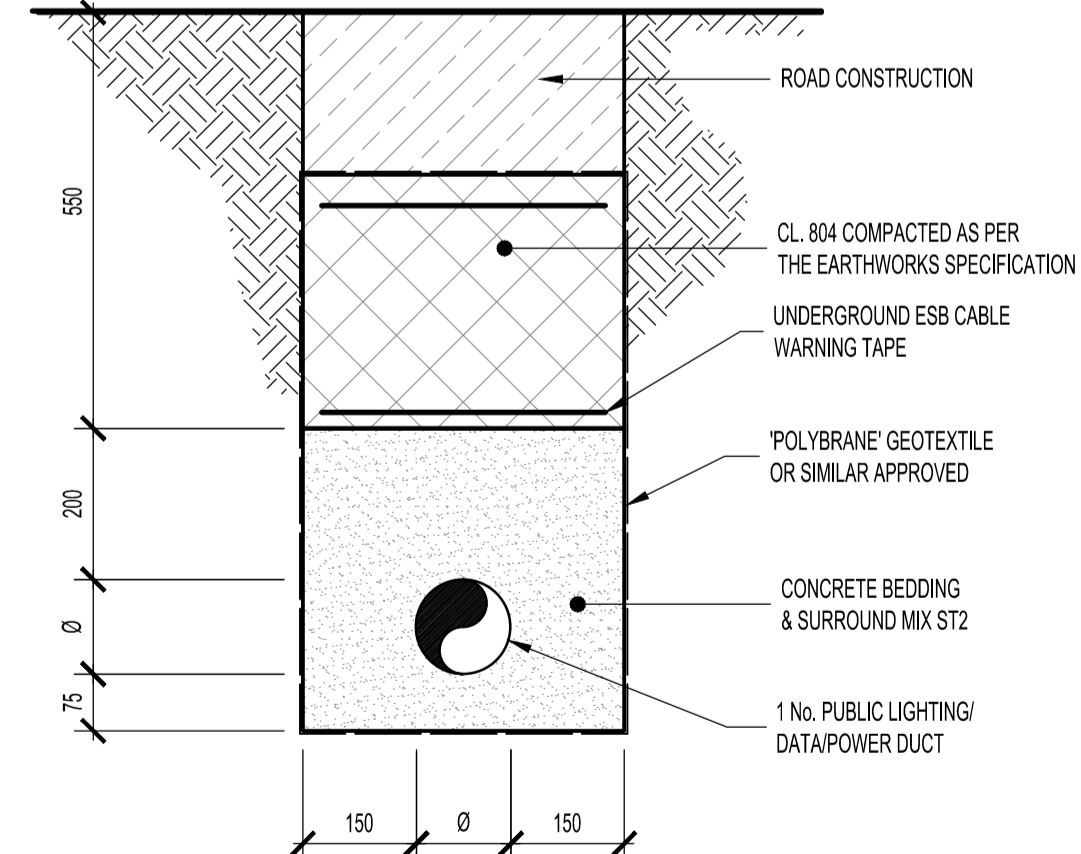


PLAN
SCALE 1:20

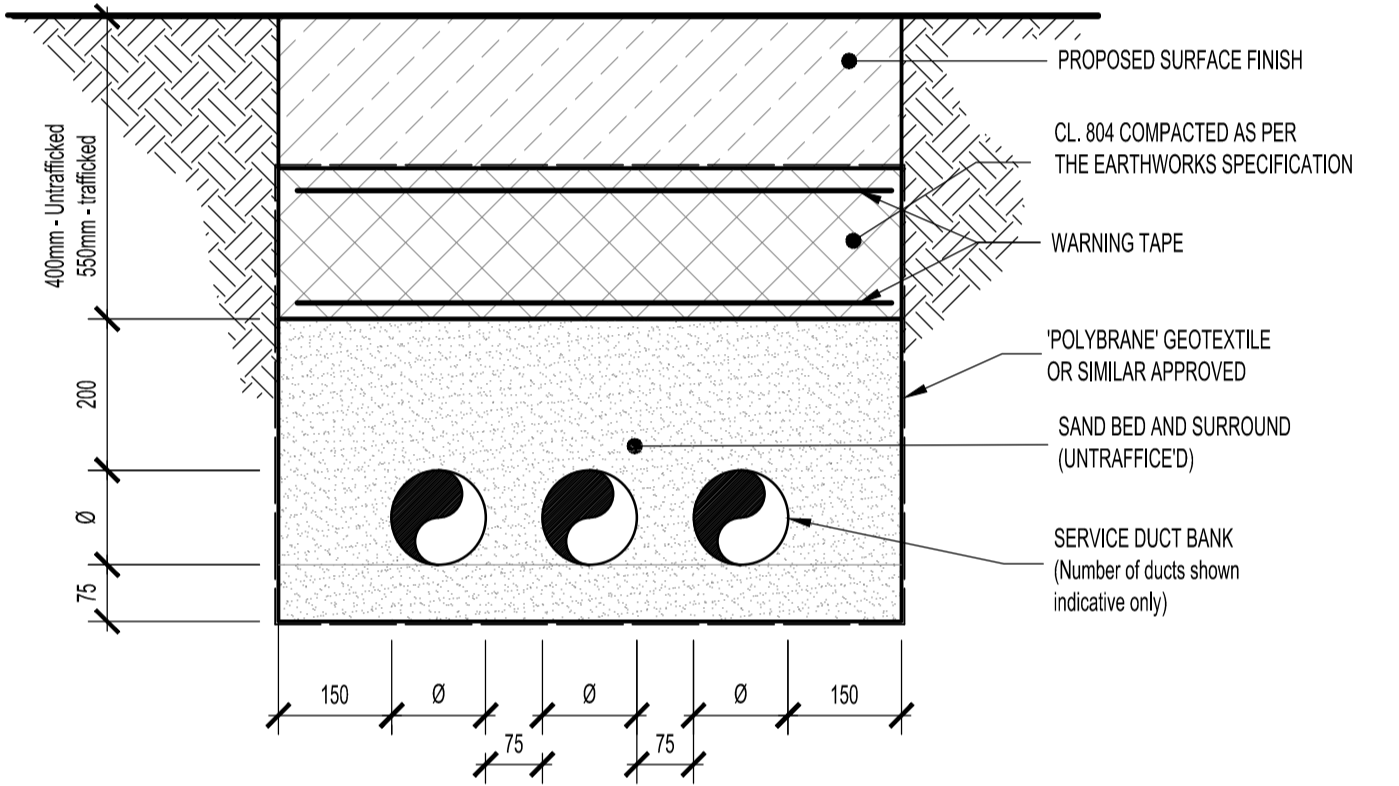
DETAIL OF FIRE HYDRANT



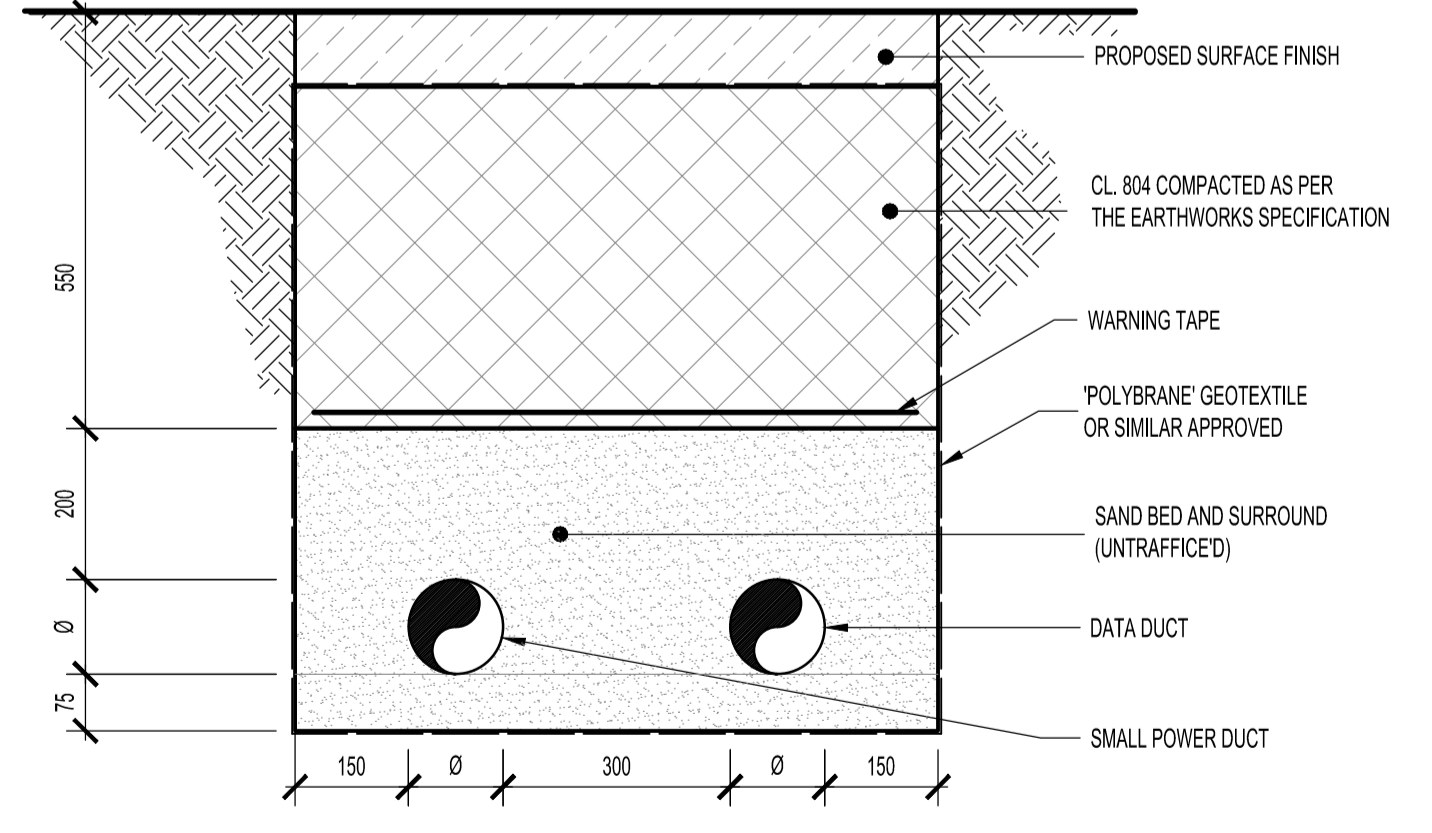
TRENCH TYPE 01 - Mains Power & Data
(TRAFFICED AREA'S) SCALE 1:10



TRENCH TYPE 2 - Lighting Only
(TRAFFICED AREA'S) SCALE 1:10



TRENCH TYPE 3 - Site Power Ducting
(UNTRAFFICED AREA'S) SCALE 1:10



TRENCH TYPE 4 - Small Power & Data
(TRAFFICED AREA'S) SCALE 1:10

PL1	11/12/15	J.B.	J.B.	JMacC
Issued for Planning				
Rev	Date	By	Chkd	Appd

ARUP
15 Oliver Plunkett Street
Cork, Ireland
Tel +353 (0)21 427 7670 Fax +353 (0)21 427 2345
www.arup.com

Client
INDAVER

Project Title
Ringaskiddy Resource Recovery Centre

Drawing Title
Typical Water & Ducting Details

Scale at A1	As Shown
Role	Site Infrastructure
Suitability	Planning
Arup Job No	238129-00
Name	C-000-082
Rev	PL1